

Ryder Towing

TF2323 SmartCan2 Fitting Guide

12N version

Interfaces directly to CAN



Contents of the kit

- 1 x SmartCAN2 module
- 1 x 13-pin socket with seal and fixing screws
- 1 x complete set of wires
- 1 x fuse tap connector with 15 amp fuse
- 2 x Red Positap connectors
- 1 x ring (earth) terminal
- 1 x Blue butt connector
- 2 x snap connectors (Scotchlocks)

The TF2323 SmartCan2 towing module connects directly to the vehicle's CAN bus network. All the signal data to the towing module comes from a direct connection to the vehicle's CAN HI, CAN LO wires.

Programmed to the vehicle.

The Bootloader interface programme's the module to the car. You may choose to have a Bootloader yourself, or we will programme your module to a specific vehicle before dispatching it to you.

You can also manually re-programme the SmartCAN2 module without a Bootloader if needed.

Warnings

- Disconnecting the battery: If you do disconnect the battery, make sure the ignition is switched off before you disconnect. Only disconnect for the shortest possible time.
- NOTE: The connections to CAN HI and CAN LO have to be excellent, and soldering is not recommended because of potential heat transfer to sensitive circuits in the car, so each kit includes two red Positap connectors. We strongly recommend their use for this interface.

Overload protection: As well as the fuse protection you put on the input cables, the module has on board protection against overloads - it will shut down any lighting circuit that shorts, etc. In service, making this a very durable unit.

The module sends trailer data back to the vehicle: Some vehicles automatically accept data back from the unit and alter some functions when a trailer is connected. Some require a re-code before they do this and others react partially without a re-code, adding new functions when they have been re-coded.

(Check the compatibility list / compatibility QR code on last page to see if your vehicle is a read only set up, or needs re-coding for extra functions).

For 12S/full function, add TF1018S Split-charge supplementary kit.

Ryder Towing

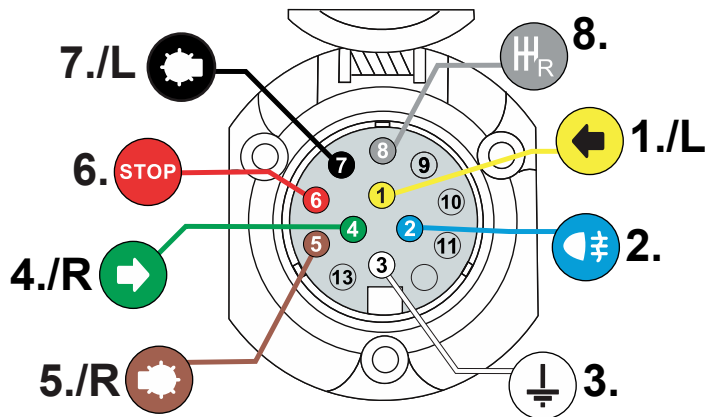
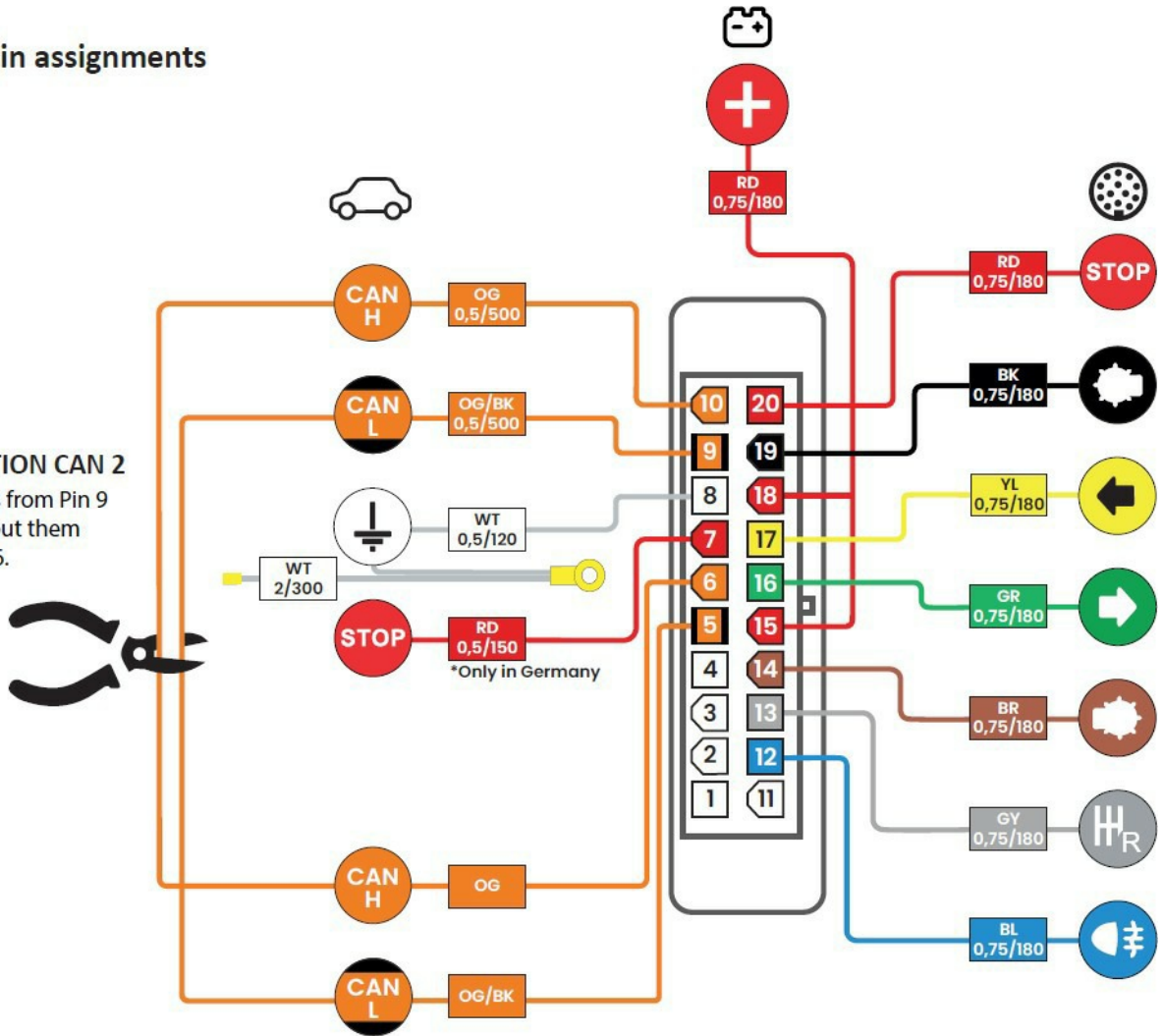
TF2323 SmartCan2 Fitting Guide

12N version

Module pin assignments

*ONLY OPTION CAN 2

Cut the wires from Pin 9 and 10 and put them in Pin 5 and 6.



Ryder Towing

TF2323 SmartCan2 Fitting Guide

12N version

Procedure

1. Make sure the module has been programmed to the vehicle (See note below)
2. Remove panelling as required.
3. Disconnect the battery.
4. Find a good earth point and connect the white wire from the module, using the ring terminal provided.
5. Thread the sleeved wires out of the car and connect to the 13-pin socket. Connect the socket to the mounting plate.
6. Lead the wires from the module through the vehicle to their appropriate connection points.
7. CAN 1: Use the instructional pictures provided to identify the CAN connection points, Cut the twisted pair from the module's CAN wires to length and connect to the vehicle's CAN wires using two of the Positap connectors provided.
8. CAN 2 (If needed - See installation pictures)
When you cut the module's twisted pair, you were left with a length with connectors. Insert these connectors into plug chambers 5 (CAN Lo) and 6 (Can Hi) on the CAN module plug. Fit the other ends to the vehicle's CAN wires as indicated.
9. Hard brake connection (If needed - See diagram above)
Take the red wire from pin 7 of the module and connect it to one of the wires to the brake lights, using a snap connector (Scotchlok). This provides an optional analogue backup to the braking system. It is required in some European countries.)
10. Power connection
The red wire that runs from both pins 15 and 18 is for power to the module.
Use the Fusetap connector provided to take power from the vehicle's fuse box.
Check your installation then insert the 15amp fuse in the Fusetap and test.
11. Restore all paneling etc.

*Note: The module may have been programmed to the car by us before dispatch or you may have chosen to have your own Bootloader unit to set it up for the car you are fitting to.
Alternatively, you can programme it manually. If you scan the top QR code on the right, you will see a YouTube video showing how to do this.*

The programme codes can be found on the compatibility PDF lists on the Ryder Towing website at this address www.rydertowing.co.uk/download/car-data. Or scan the below QR code on the right.

You Tube Video for manually Programming Module.



Compatibility List Downloads



Warranty conditions

We would expressly point out that installation not carried out by a competent installer will result in the cancellation of any right to damage compensation, in particular, those arising under the product liability act.

Contents of these kits and their fitting manuals are subject to alteration without notice.

Please ensure that the instruction manual is read and fully understood before commencing installation. Do not overload circuits.